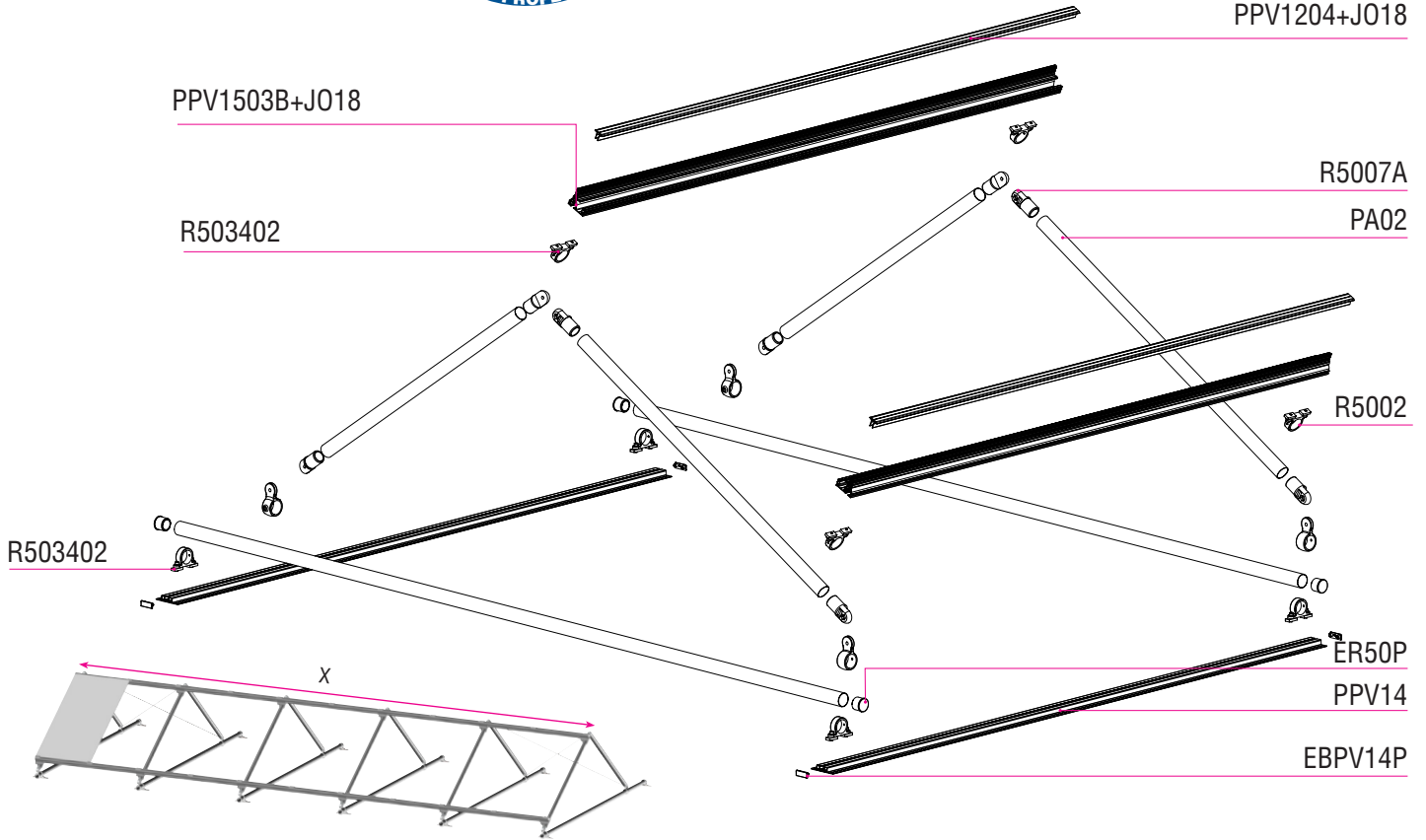


SERIES 50C

50C series - Simple structure for framed solar panels
 Structure simple pour panneaux solaires série 50C cadrés
 Estructura simple para paneles solares serie 50C con marco
 Serie 50C - Anlage für polykristalline oder monokristalline Module mit Rahmen



REGISTERED DESIGN
 MODÈLE DÉPOSÉ
 MODELO REGISTRADO

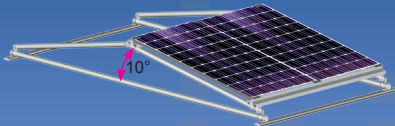


MITJAVILA

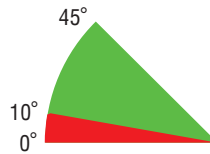


Ground or flat roof structures

- Structure:
galvanised steel tubes
aluminium profiles.



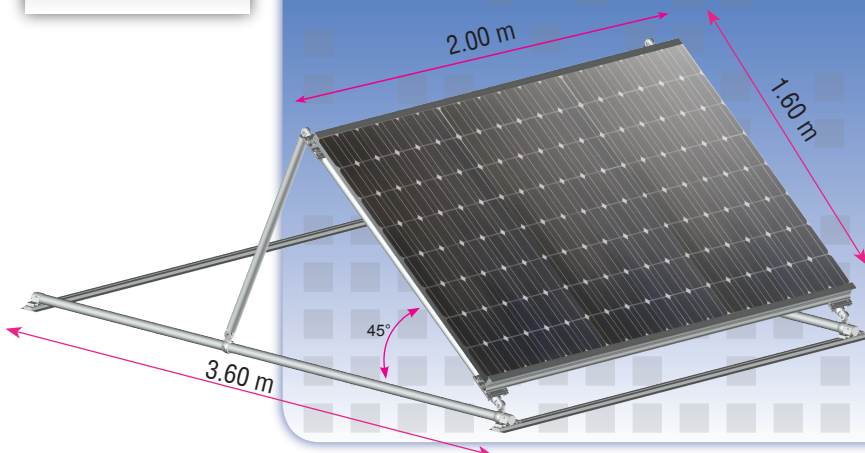
ADVANTAGES



Tilt angle

- Manual tilt adjustment
- Adjustable
- Ground fixation

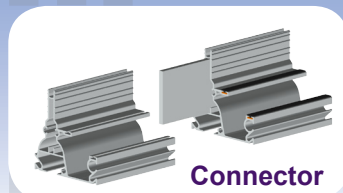
For 35mm to 50mm thick panels



PORTRAIT INSTALLATION ONLY



FOR FRAMED PANELS



Connector

